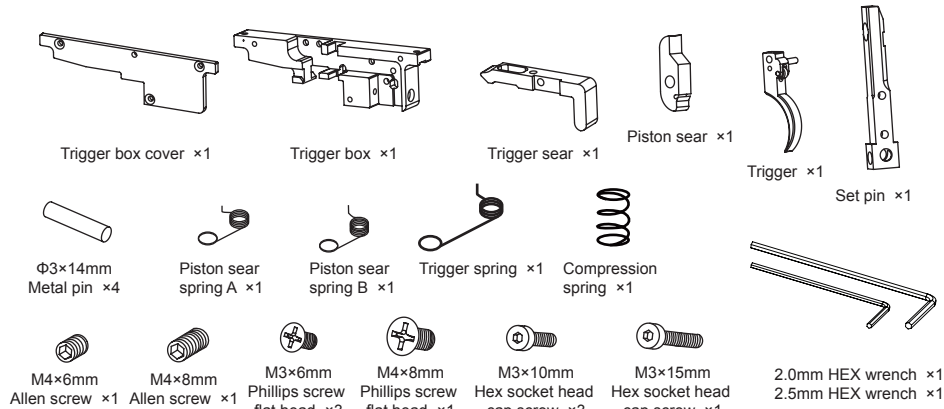


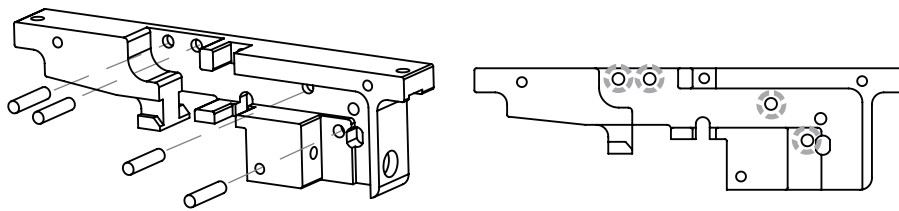
VSR-10 TRIGGER INSTRUCTION MANUAL

JA-4730

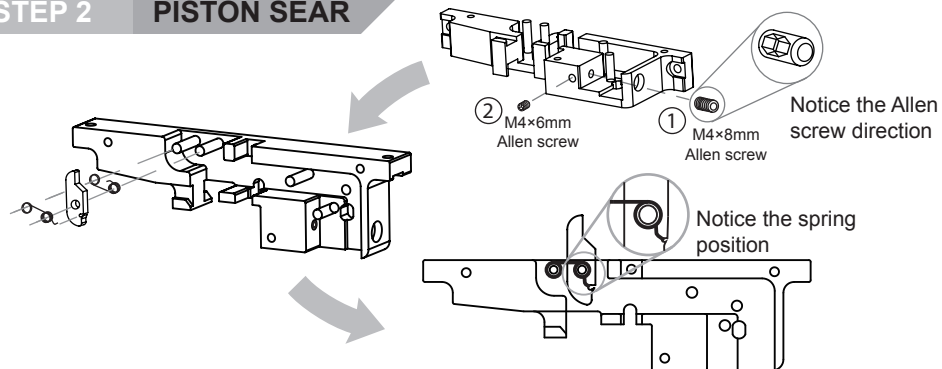
PREPARATION COMPONENT PARTS



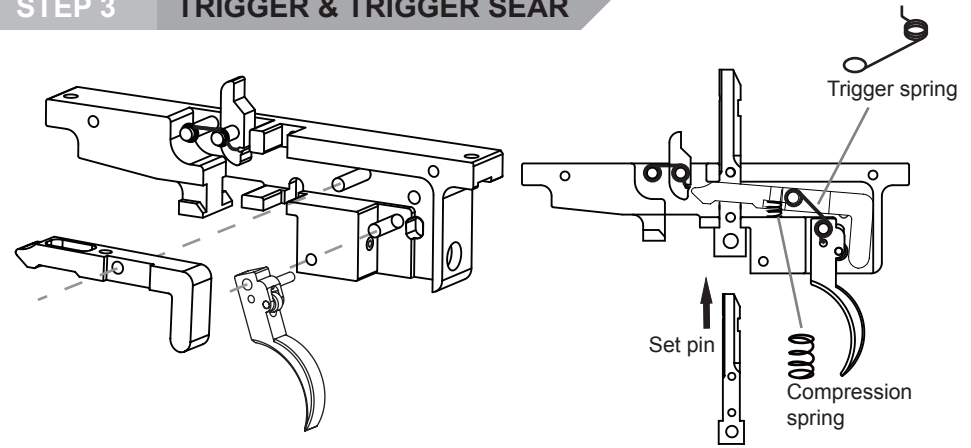
STEP 1 Φ3×14mm METAL PINS



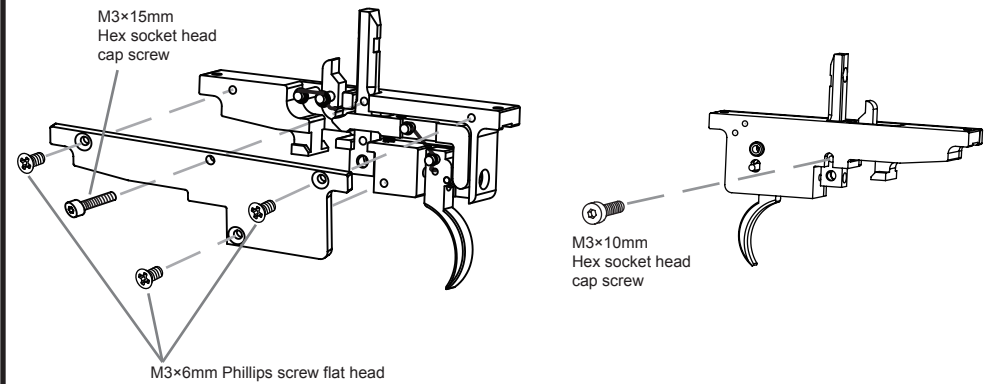
STEP 2 PISTON SEAR



STEP 3 TRIGGER & TRIGGER SEAR



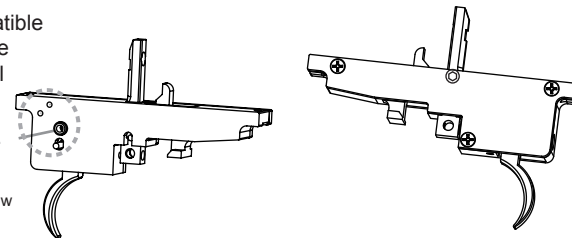
STEP 4 COVER & ADJUSTMENT SCREW



STEP 5 SAFETY

Compatible with the original safety

M4×8mm Phillips screw flat head



<http://jjairsoft.hk>

Copyright © 2017
JJ Outdoor Co., Limited